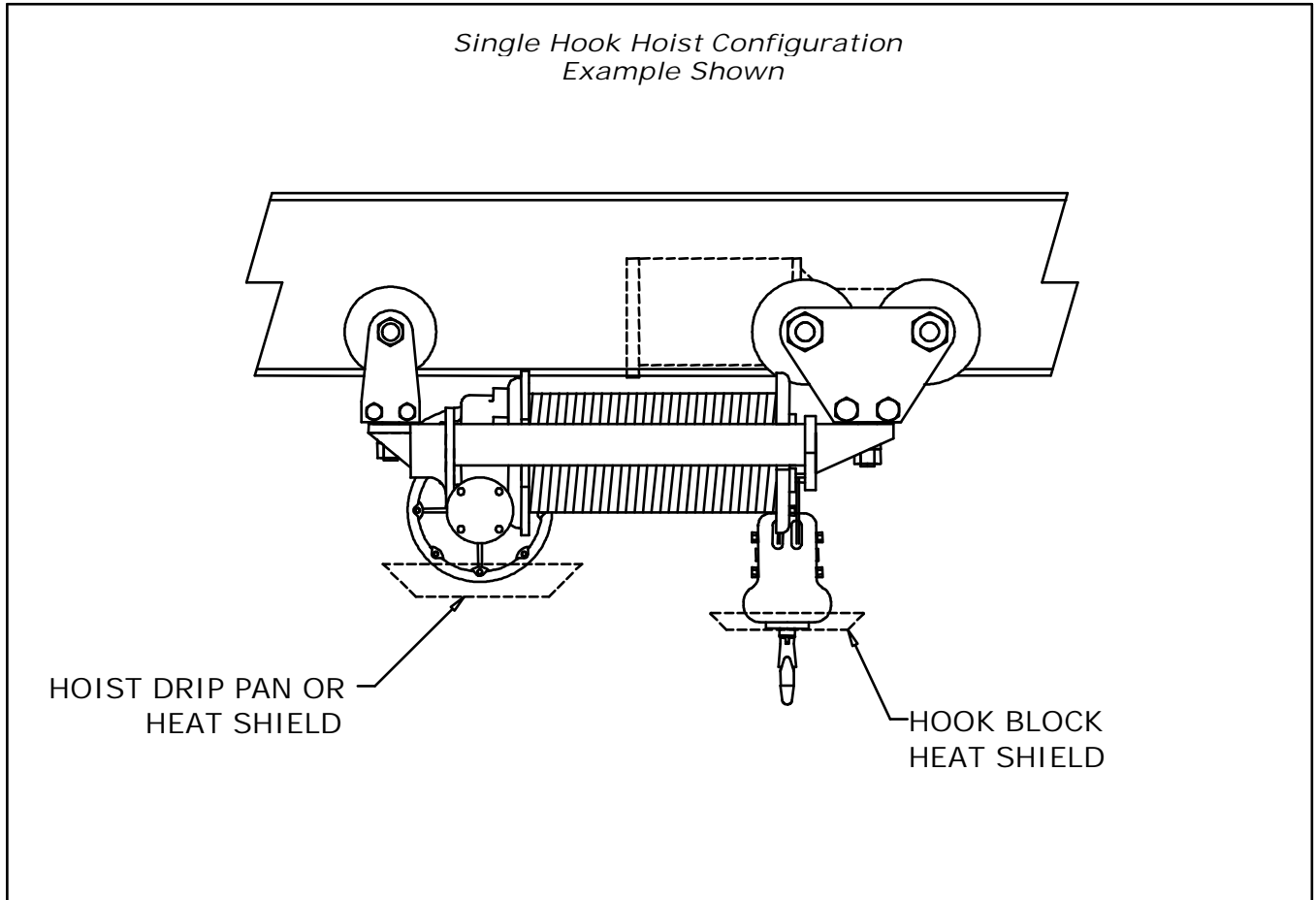


DRIP PAN / HEAT SHIELD



Drip pans reduce the amount of any foreign material falling from the hoist onto the work area below. Heat shields are used to protect the hoist and/or hook block in applications where high temperatures are present. Heat shields underneath the entire hoist are available. Contact Electrolift's Sale department for more information.