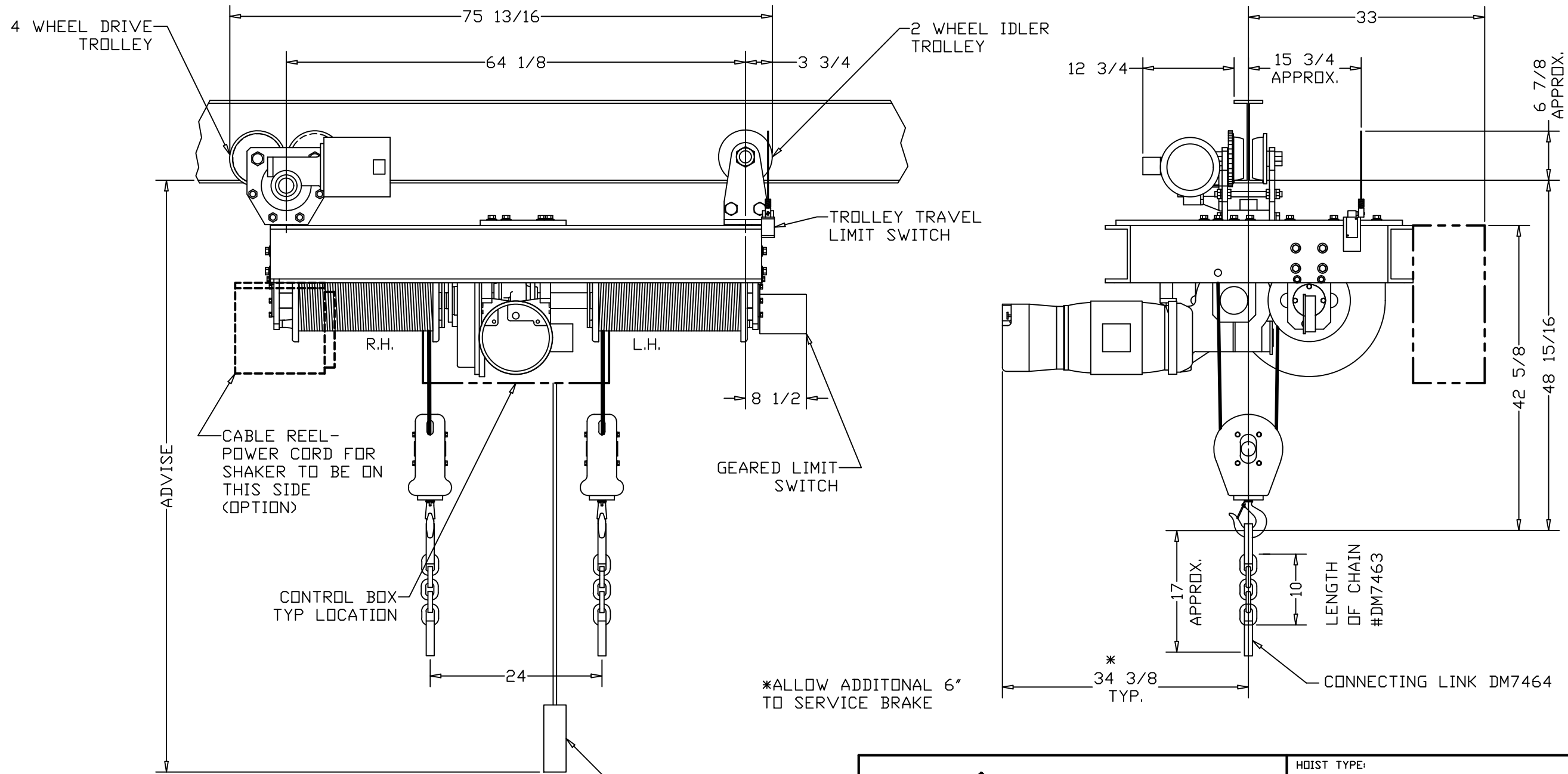
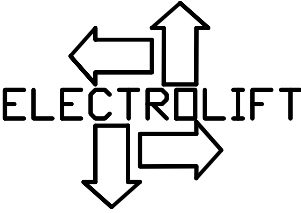


ISSUE 1
10/24/07
ISSUE 2
2/18/11
ADDED
HOIST WT
ISSUE 3
6/19/23
UPDATED
HOIST WT.



CAPACITY - 12,000 LBS
SPEED - 12 FPM
LIFT - 40 FT
REEVING - 2 PART SINGLE
PRIMARY VOLTAGE - 460/3/60
SECONDARY VOLTAGE - 115/1/60
HOIST MOTOR FLA - 10.1A
TROLLEY MOTOR FLA - 1.5A
HOIST BRAKE CURRENT RATING - .2A
APPROX. HOIST WEIGHT - 2500 LBS

APPROX. WHEEL LOADINGS:
4 WHEEL DRIVE TROLLEY - 3625 LBS/WHEEL PAIR
2 WHEEL IDLER TROLLEY - 7250 LBS/WHEEL PAIR

	ELECTROLIFT, INC. 204 SARGEANT AVE. CLIFTON, NJ 07013 PH: 973-471-0204 FAX: 973-471-2814 www.electrolift.com		HOIST TYPE: BC-3P CAR SHAKER	
	CONFIGURATION: SIDE DRIVE TROLLEY, NEMA 4		DATE: 10/24/07	SCALE: 1/16
REV.	ECO#	DATE	BY:	DRAWN BY: AR
CATALOG NO.: 869-SD			DRAWING NO.: CS-101	