

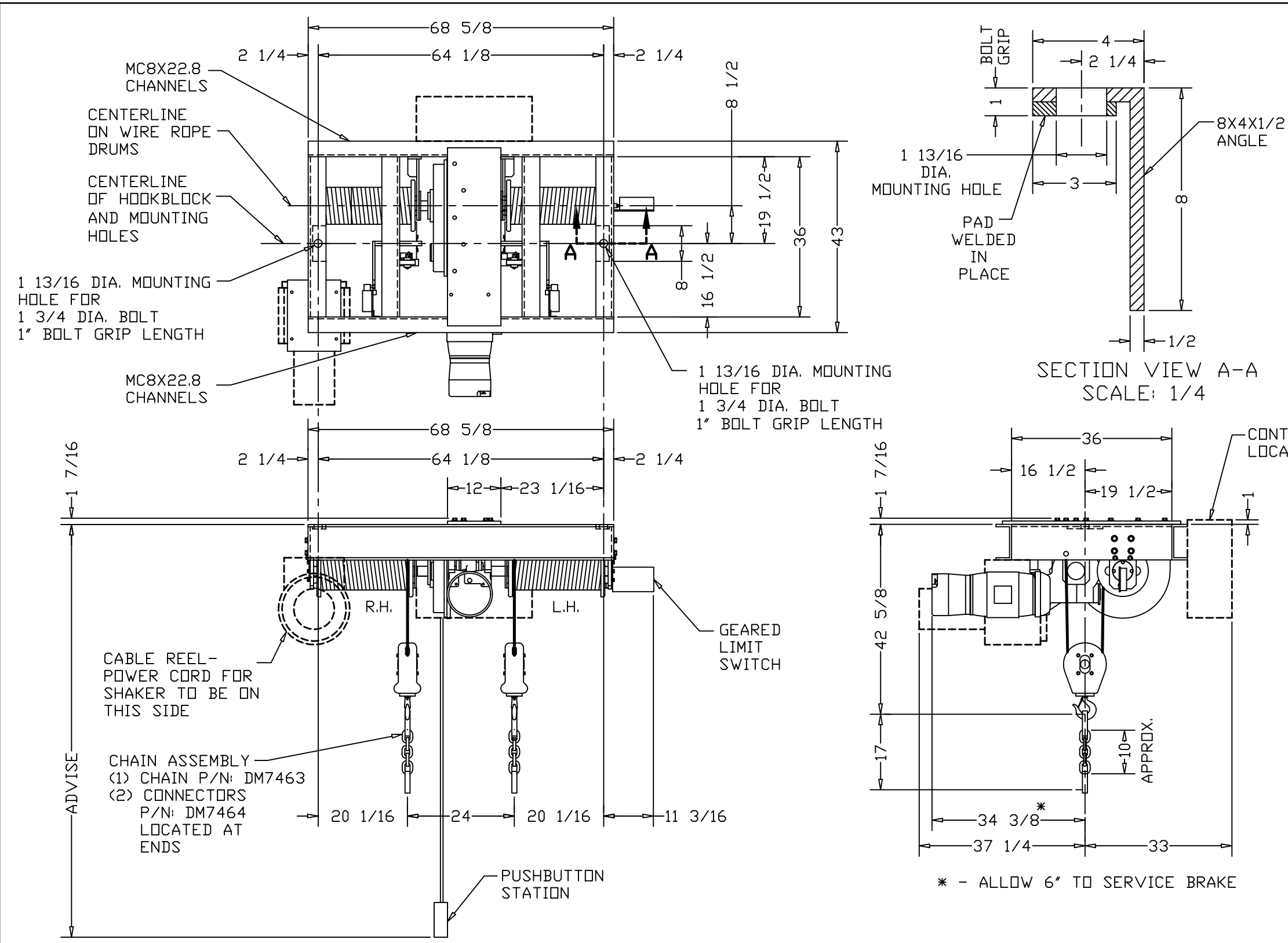
ISSUE 1
10/24/07

ISSUE 2
2/28/08

ISSUE 3
2/18/11
ADDED
HOIST WT.

ISSUE 4
6/19/23
UPDATED
HOIST WT.

CAPACITY - 12,000 LBS
 SPEED - 12 FPM
 LIFT - 40 FT
 REEVING - 2 PART SINGLE
 PRIMARY VOLTAGE - 460/3/60
 SECONDARY VOLTAGE - 115/1/60
 HOIST MOTOR FLA - 10.1A
 TROLLEY MOTOR FLA - 1.5A
 HOIST BRAKE CURRENT RATING - .2A
 APPROX HOIST WEIGHT - 2750 LBS



ELECTROLIFT

ELECTROLIFT, INC.
 204 SARGEANT AVE.
 CLIFTON, NJ 07013
 PH: 973-471-0204
 FAX: 973-471-2814
 www.electrolift.com

REV.	ECO#	DATE	BY:
HOIST TYPE: BC-3P CAR SHAKER			
CONFIGURATION: LUG MOUNTED CLASS II, DIV. II, GROUP F			
DATE: 10/24/07	SCALE: 1/25	DWG SIZE: B	DRAWN BY: AR
CATALOG NO.: 869-LG		DRAWING NO.: CS-102	

* - ALLOW 6" TO SERVICE BRAKE