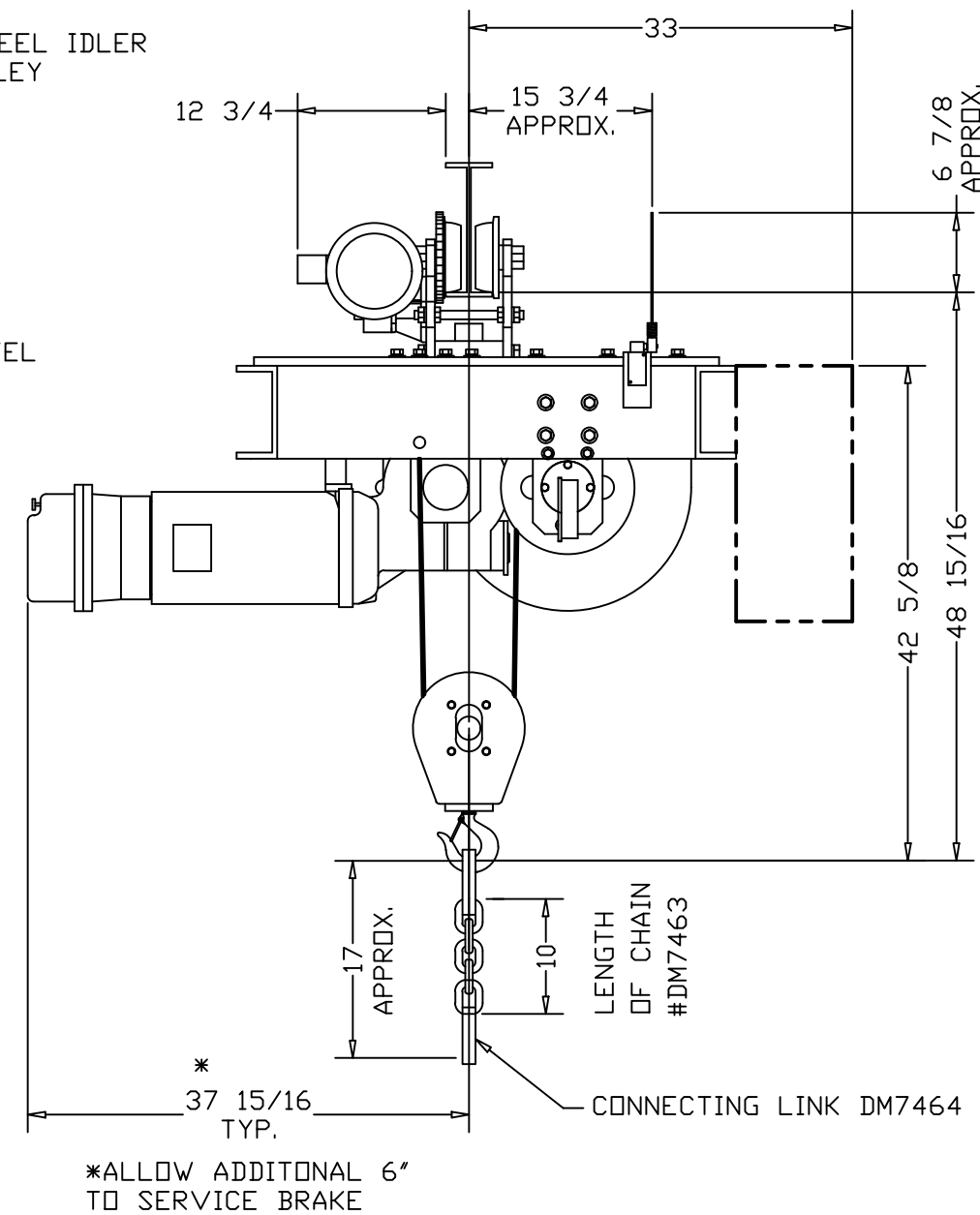
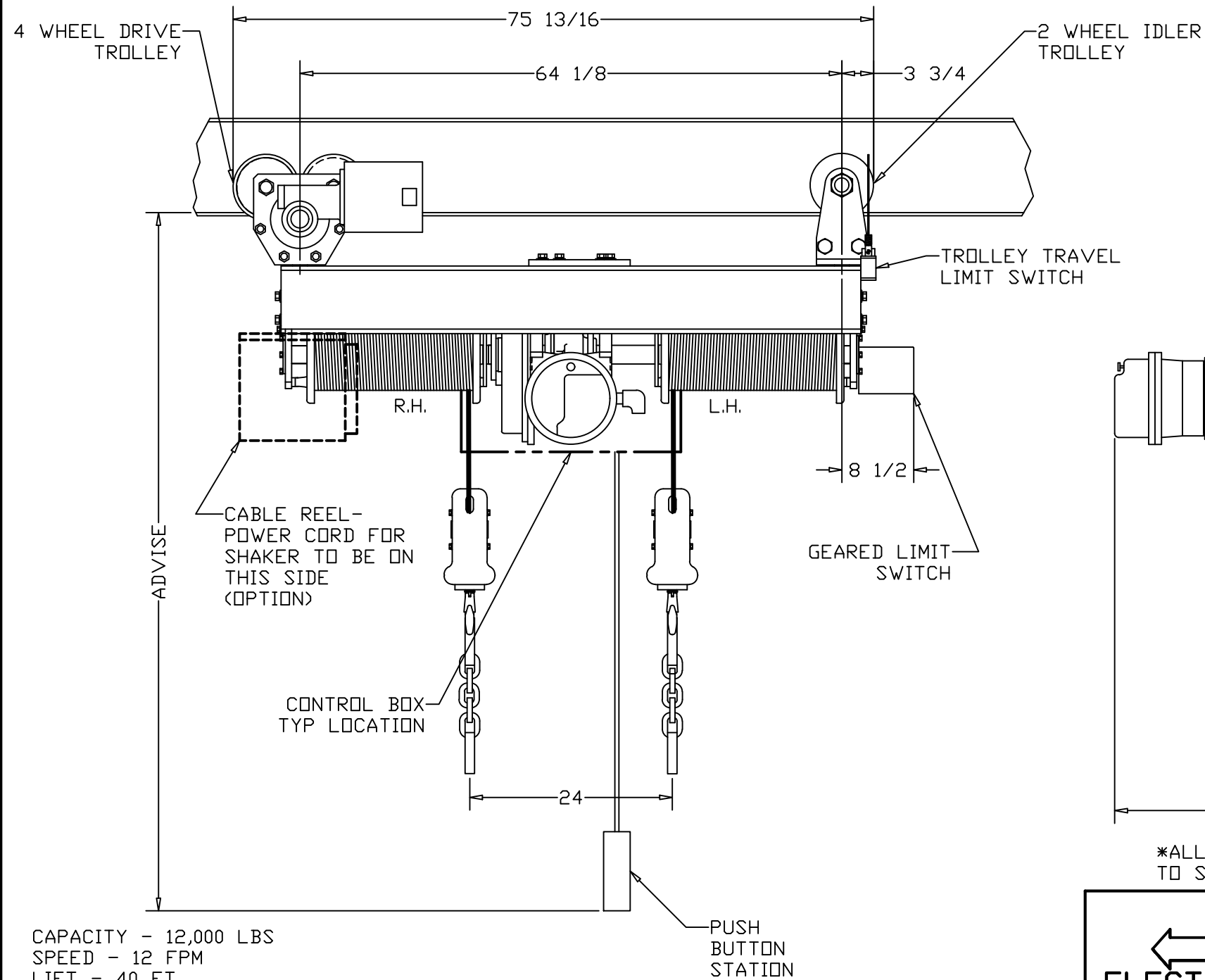


ISSUE 1  
10/24/07

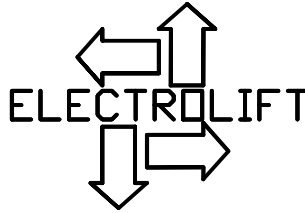
ISSUE 2  
2/18/11  
ADDED  
HOIST WT.

ISSUE 3  
6/19/23  
UPDATED  
HOIST WT.



CAPACITY - 12,000 LBS  
SPEED - 12 FPM  
LIFT - 40 FT  
REEVING - 2 PART SINGLE  
PRIMARY VOLTAGE - 460/3/60  
SECONDARY VOLTAGE - 115/1/60  
HOIST MOTOR FLA - 10.1A  
TROLLEY MOTOR FLA - 1.5A  
HOIST BRAKE CURRENT RATING - .2A  
APPROX. HOIST WEIGHT - 3000 LBS

APPROX. WHEEL LOADINGS:  
4 WHEEL DRIVE TROLLEY - 3750 LBS/WHEEL PAIR  
2 WHEEL IDLER TROLLEY - 7500 LBS/WHEEL PAIR

|   |  |   |      |                                 |                       |                       |
|---|--|---|------|---------------------------------|-----------------------|-----------------------|
|  |  | ELECTROLIFT, INC.<br>204 SARGEANT AVE.<br>CLIFTON, NJ 07013<br>PH: 973-471-0204<br>FAX: 973-471-2814<br>www.electrolift.com |      | HOIST TYPE:<br>BC-3P CAR SHAKER |                       |                       |
|   |  | CONFIGURATION: SIDE DRIVE TROLLEY<br>CLASS II, DIV. I, GROUP F  |      | DATE:<br>10/24/07               | SCALE:<br>1/16        | DWG SIZE:<br>B        |
| REV.  |  | ECO#  | DATE | BY:                             | CATALOG NO:<br>869-SD | DRAWING NO:<br>CS-105 |