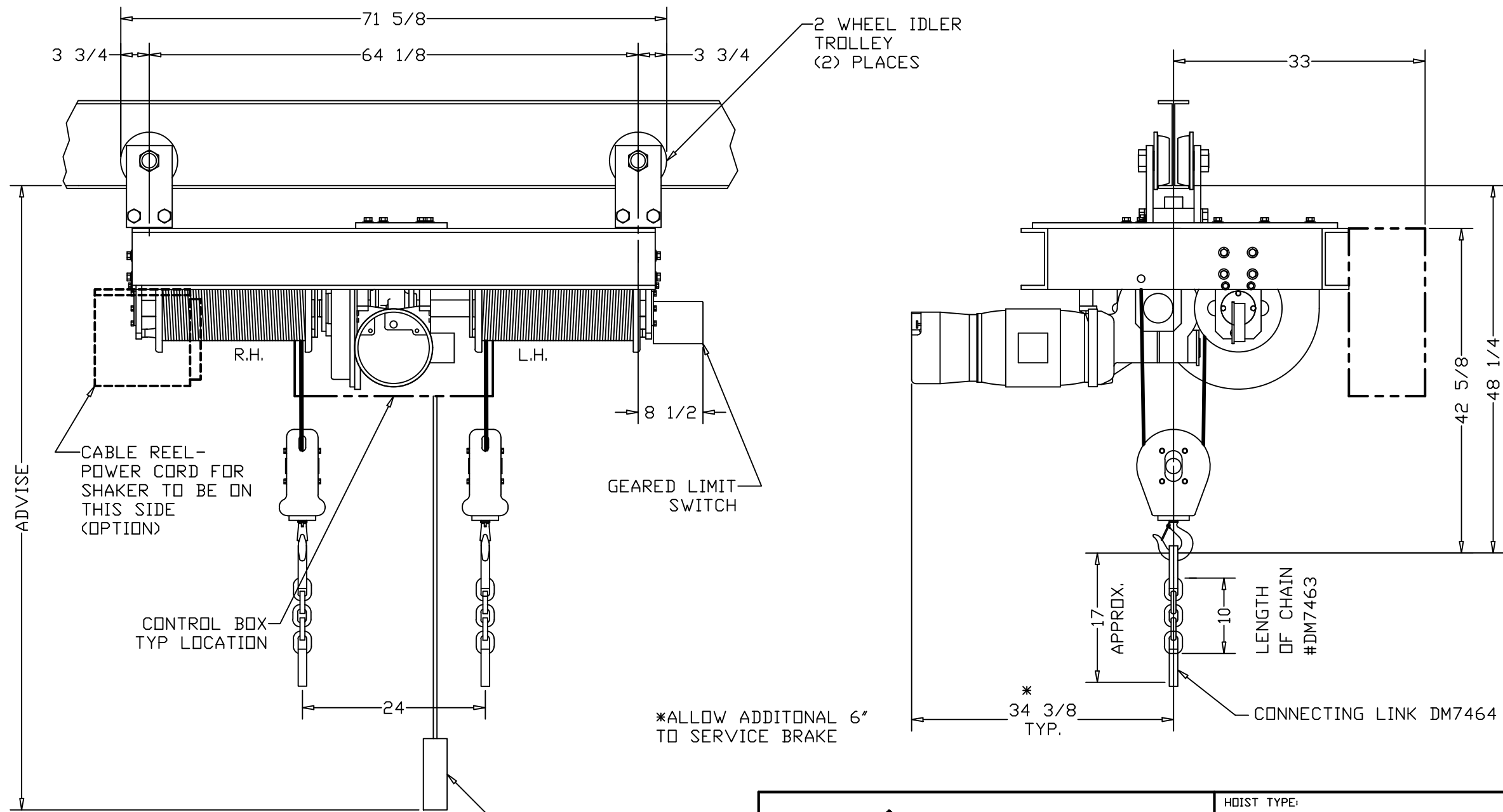


ISSUE 1
5/8/09

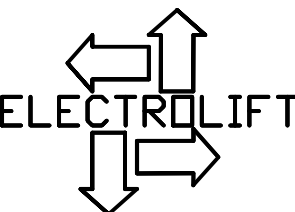
ISSUE 2
2/18/11
ADDED
HOIST WT.

ISSUE 3
6/19/23
UPDATED
HOIST WT.



CAPACITY - 12,000 LBS
SPEED - 12 FPM
LIFT - 40 FT
REEVING - 2 PART SINGLE
PRIMARY VOLTAGE - 460/3/60
SECONDARY VOLTAGE - 115/1/60
HOIST MOTOR FLA - 10.1A
HOIST BRAKE CURRENT RATING - .2A
APPROX. HOIST WEIGHT - 2400 LBS

APPROX. WHEEL LOADINGS:
2 WHEEL IDLER TROLLEY - 7200 LBS/WHEEL PAIR

	ELECTROLIFT, INC. 204 SARGEANT AVE. CLIFTON, NJ 07013 PH: 973-471-0204 FAX: 973-471-2814 www.electrolift.com		HOIST TYPE: BC-3P CAR SHAKER		
	CONFIGURATION: IDLER TROLLEY, NEMA 4		DATE: 5/8/09	SCALE: 1/16	DWG SIZE: B
REV.	ECO#	DATE	BY:	CATALOG NO: 869-PL	DRAWING NO.: CS-106