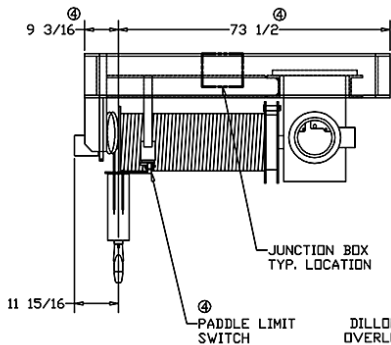


CAPACITY - 22,047 LBS (10 METRIC TONS)  
 LIFT SPEED - 24.1 FPM  
 LIFT - 70 FT  
 REEVING - 4 PART SINGLE  
 PRIMARY VOLTAGE - 400/3/50

MC12x45 CHANNEL  
 (4) PLACES



DILLON VERTICAL  
 OVERLOAD SWITCH  
 (NOT SHOWN)

