

# CAPACITY 10,000 LBS.

INFORMATION REQUIRED  
SEE SHEET 2 FOR SPECIFICATIONS

TRACK SIZE: \_\_\_\_\_

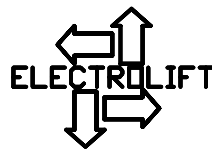
FLANGE WIDTH: \_\_\_\_\_

FLANGE THICKNESS: \_\_\_\_\_

DIMENSION "A": \_\_\_\_\_

SPACER REQUIRED:  
 NO  
 YES

DIMENSION "B": \_\_\_\_\_



ELECTROLIFT, INC.  
 204 SARGEANT AVE.  
 CLIFTON, NJ 07013  
 PH: 973-471-0204  
 FAX: 973-471-2814  
 www.electrolift.com

1	557	2/10/11	DR
REV.	ECO#	DATE	BY:
IDLER TROLLEY PART NUMBER:		M1171C	
DATE: 12/12/07	SCALE: NONE	DWG SIZE: A	DRAWN BY: DR

DRAWING NO:  
**M1171C-WPDF**  
 SHEET 1 OF 2

**CAPACITY  
10,000 LBS.**

**SPECIFICATIONS**

PROVIDE SHEET 1 TO ELECTROLIFT

**GENERAL NOTES:**

1. CAPACITY OF TROLLEY IS NOT TO BE EXCEEDED
2. FACTOR OF SAFETY 5 TO 1 MINIMUM
3. VISTA GREEN ENAMAL PAINT STANDARD
4. NOT DESIGNED FOR TRAVERSING TRACKS WITH A RADIUS.
5. CONSULT ELECTROLIFT'S SALES DEPARTMENT FOR ADDITIONAL FEATURES

**WHEEL ASSEMBLY**

STANDARD HARDENED WHEEL:  
BRINELL 475/ROCKWELL C50  
BEARING L10HR LIFE:  
108,633 HRS AT 50 FPM

**TRACK TYPE**

PATENTED TRACKS: FLAT PROFILE AS SHOWN  
S-BEAM TRACK: SEE TROLLEY M1171B  
W-BEAM TRACK: SEE TROLLEY M1171B

**SPACER LENGTH**

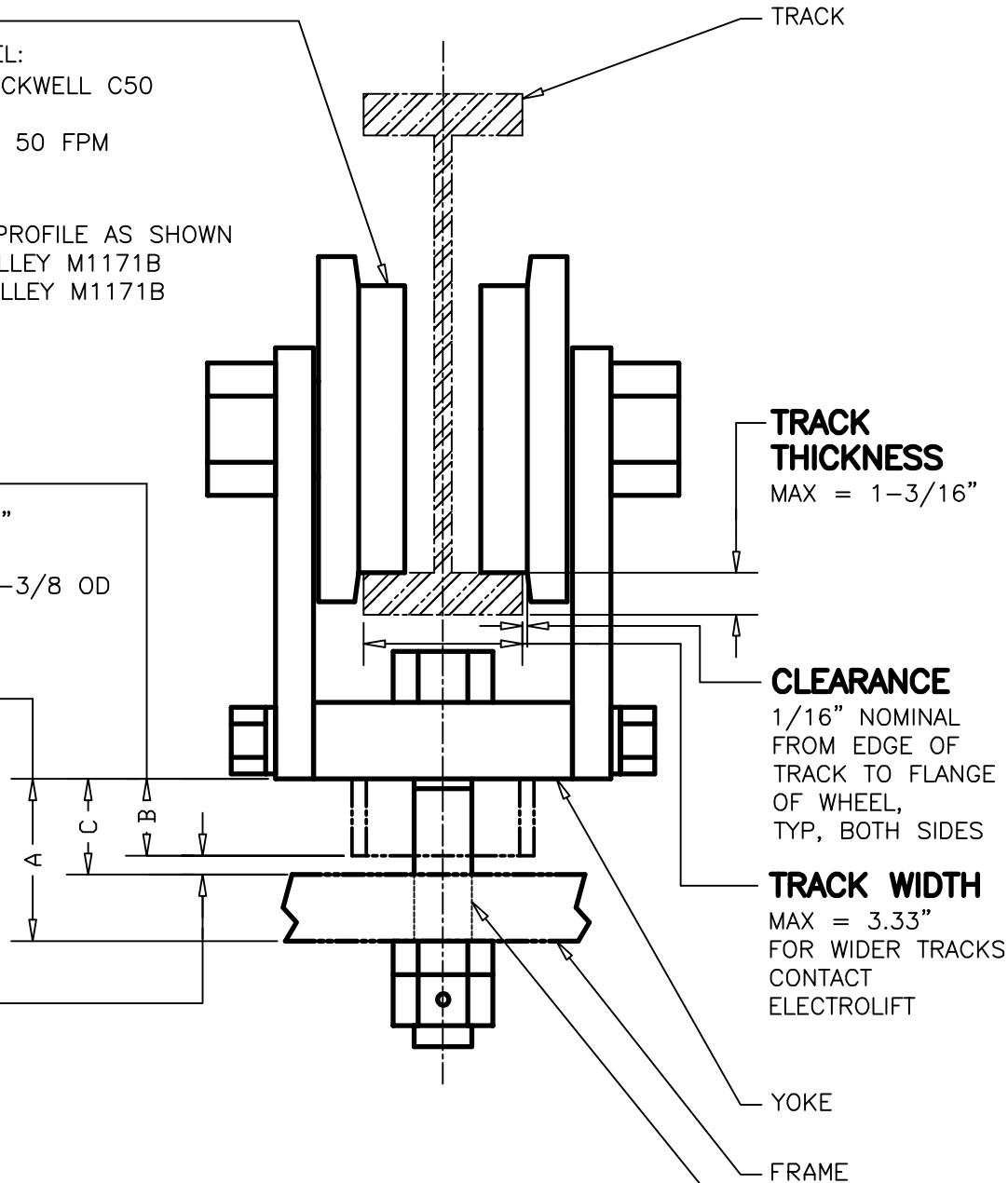
REQUIRED IF DIMENSION "C"  
EXCEEDS 1/2"  
MATERIAL = TUBING, 2 IDx2-3/8 OD

**BOLT SPAN**

3 1/4" MAX  
FOR LARGER  
DIMENSIONS,  
CONTACT ELECTROLIFT

**GAP**

1/8" MIN. GAP REQUIRED  
FROM BOTTOM OF YOKE  
OR SPACER TO BOTTOM  
OF FRAME



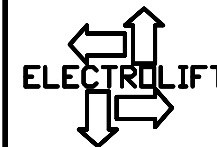
REPRESENTATIVE DRAWING  
NOT TO SCALE

**TRACK THICKNESS**  
MAX = 1-3/16"

**CLEARANCE**  
1/16" NOMINAL  
FROM EDGE OF  
TRACK TO FLANGE  
OF WHEEL,  
TYP, BOTH SIDES

**TRACK WIDTH**  
MAX = 3.33"  
FOR WIDER TRACKS  
CONTACT  
ELECTROLIFT

**CLEARANCE HOLE**  
1 13/16" DIA.  
HOLE IN FRAME



ELECTROLIFT, INC.  
204 SARGEANT AVE.  
CLIFTON, NJ 07013  
PH: 973-471-0204  
FAX: 973-471-2814  
www.electrolift.com

REV.	ECO#	DATE	BY:
IDLER TROLLEY PART NUMBER: M1171C			
DATE: 12/12/07	SCALE: NONE	DWG SIZE: A	DRAWN BY: DR
DRAWING NO: M1171C-WPDF			
SHEET 2 OF 2			