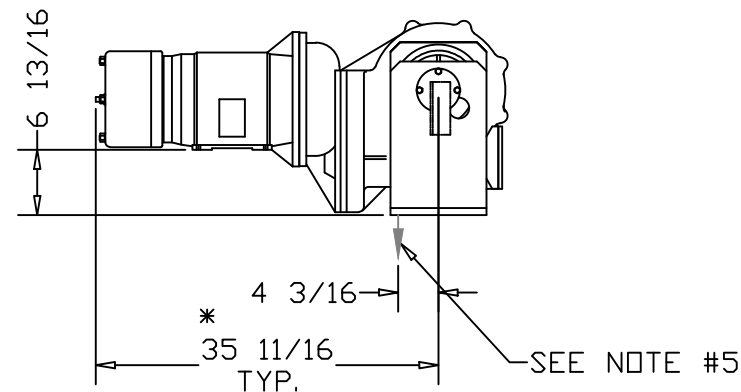
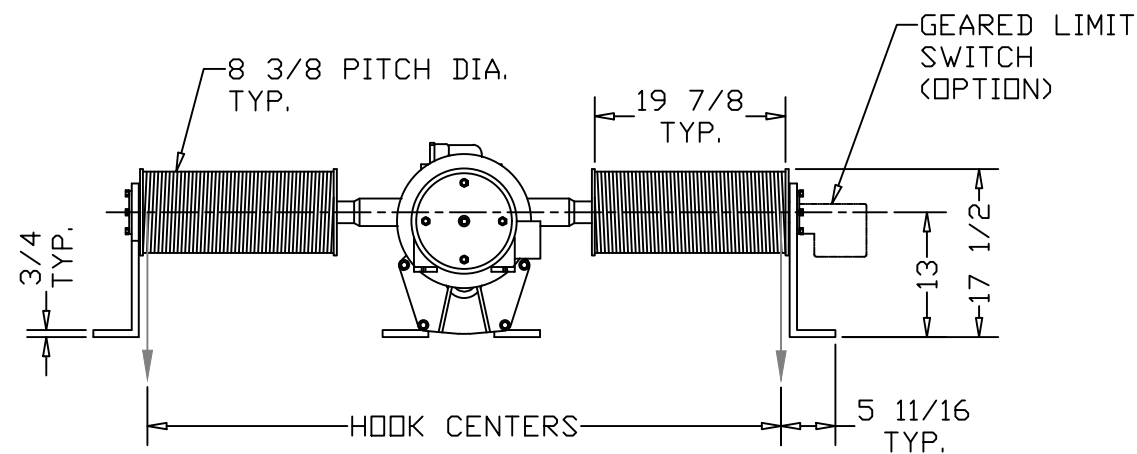
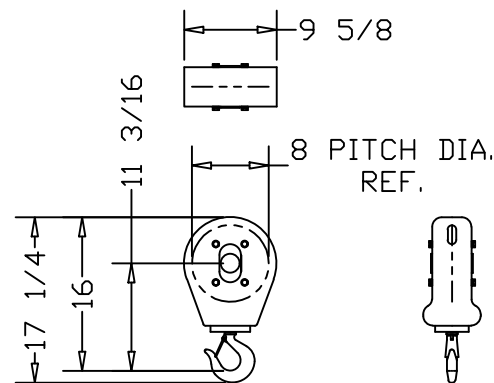


HOIST MOUNTING DETAIL  
HOLE LOCATIONS



\*ALLOW 6" CLEARANCE  
TO SERVICE BRAKE  
STANDARD MOTOR SHOWN



M-2538-A HOOK BLOCK  
6000 LB. CAPACITY  
8" PITCH DIA.  
(2) SUPPLIED PER HOIST STD.  
SHIPPED LOOSE

CUSTOMER:

ELECTROLIFT AUTHORIZED DISTRIBUTOR:

REFERENCE NO.:

CATALOG #

998-FL	-	-	-
--------	---	---	---

SPEED (FPM): 20

HP: 10

MAX. HOOK CENTERS (IN.): 120  
(SEE NOTE #4)

LIFT (FT.): 40

CAPACITY (LBS): 10000

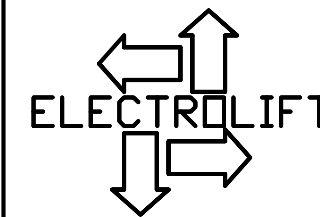
PRIMARY VOLTAGE: 460 or 230 (3 PH. STD)

CONTROL VOLTAGE: 115 (STD)

HOIST WEIGHT (LBS): 1550

REEVING: 2 PART SINGLE

- HOIST NOTES:
- STANDARD CONTROL BOX WILL BE SHIPPED LOOSE WITH HOIST, TO BE MOUNTED BY CUSTOMER.
  - CONTROL BOX SIZE TO BE DETERMINED UPON CONTROLS SELECTION AT TIME OF ORDER.
  - ALL ELECTRICAL CONNECTIONS BETWEEN HOIST AND CONTROL BOX TO BE COMPLETED BY CUSTOMER, UNLESS OTHERWISE SPECIFIED.
  - FOR HOOK CENTERS LARGER THAN SPECIFIED MAXIMUM VALUE (SEE ABOVE), CONTACT ELECTROLIFT.
  - WIRE ROPE CAN PAY OFF OPPOSITE SIDE OF DRUM, IF SPECIFIED.
  - FOR SINGLE LINE APPLICATIONS, SPEED AND LIFT WILL BE TWICE THE SPECIFIED VALUE AND THE CAPACITY WILL BE HALF THE SPECIFIED VALUE.
  - WIRE ROPE DEAD ENDING TO BE PROVIDED BY CUSTOMER



ELECTROLIFT, INC.  
204 SARGEANT AVE.  
CLIFTON, NJ 07013  
PH: 973-471-0204  
FAX: 973-471-2814  
www.electrolift.com

REV.	ECO#	DATE	BY:

HOIST TYPE: "D" TWIN HOOK

CONFIGURATION: FLOOR MOUNTED

DATE:	SCALE:	DWG SIZE:	DRAWN BY:
12/21/21	1:20	B	AR

CATALOG NO.:	DRAWING NO.:
998-FL	D-177