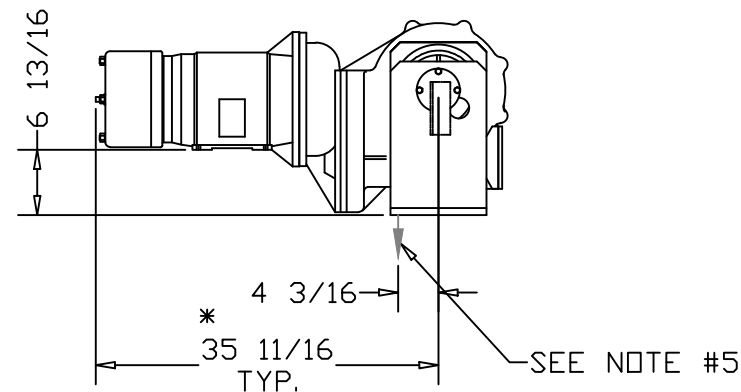
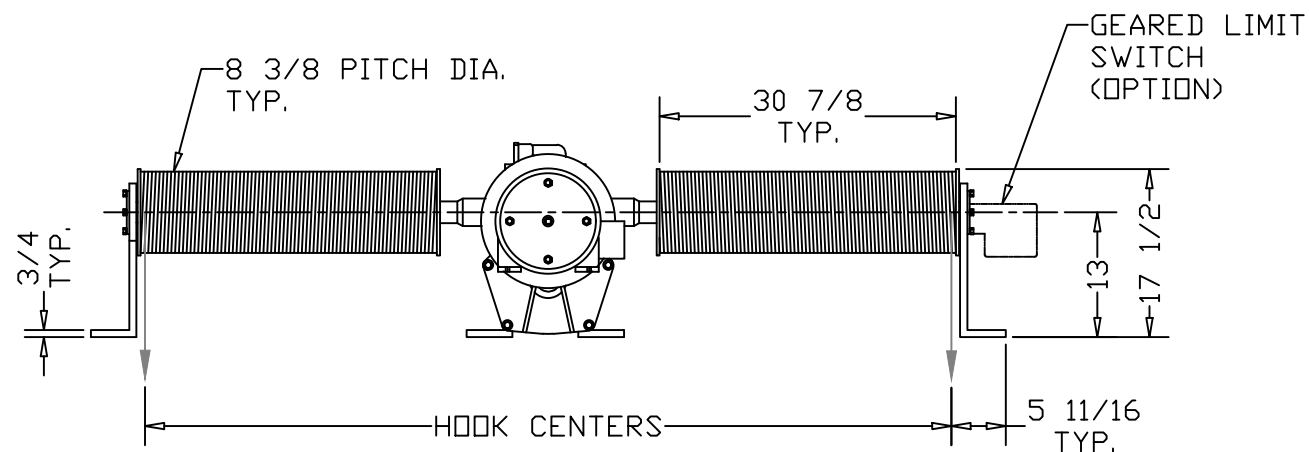
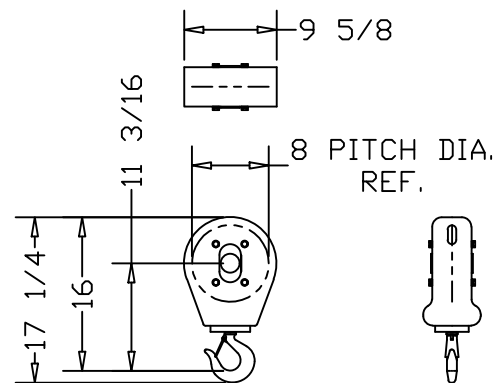


HOIST MOUNTING DETAIL
HOLE LOCATIONS



*ALLOW 6" CLEARANCE
TO SERVICE BRAKE
STANDARD MOTOR SHOWN



M-2538-A HOOK BLOCK
6000 LB. CAPACITY
8" PITCH DIA.
(2) SUPPLIED PER HOIST STD.
SHIPPED LOOSE

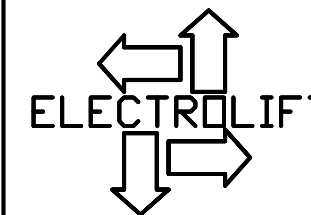
CUSTOMER:

REFERENCE NO.:

ELECTROLIFT AUTHORIZED DISTRIBUTOR:

| | CATALOG # | | |
|---|------------------------|---|---|
| | 999-FL | - | - |
| SPEED (FPM): | 20 | - | - |
| HP: | 10 | - | - |
| MAX. HOOK CENTERS (IN.): (SEE NOTE #4) | 120 | - | - |
| LIFT (FT.): | 64 | | |
| CAPACITY (LBS): | 10000 | | |
| PRIMARY VOLTAGE: | 460 or 230 (3 PH. STD) | | |
| CONTROL VOLTAGE: | 115 (STD) | | |
| HOIST WEIGHT (LBS): | 1650 | | |
| REEVING: | 2 PART SINGLE | | |

- HOIST NOTES:
- STANDARD CONTROL BOX WILL BE SHIPPED LOOSE WITH HOIST, TO BE MOUNTED BY CUSTOMER.
 - CONTROL BOX SIZE TO BE DETERMINED UPON CONTROLS SELECTION AT TIME OF ORDER.
 - ALL ELECTRICAL CONNECTIONS BETWEEN HOIST AND CONTROL BOX TO BE COMPLETED BY CUSTOMER, UNLESS OTHERWISE SPECIFIED.
 - FOR HOOK CENTERS LARGER THAN SPECIFIED MAXIMUM VALUE (SEE ABOVE), CONTACT ELECTROLIFT.
 - WIRE ROPE CAN PAY OFF OPPOSITE SIDE OF DRUM, IF SPECIFIED.
 - FOR SINGLE LINE APPLICATIONS, SPEED AND LIFT WILL BE TWICE THE SPECIFIED VALUE AND THE CAPACITY WILL BE HALF THE SPECIFIED VALUE.
 - WIRE ROPE DEAD ENDING TO BE PROVIDED BY CUSTOMER



ELECTROLIFT, INC.
204 SARGEANT AVE.
CLIFTON, NJ 07013
PH: 973-471-0204
FAX: 973-471-2814
www.electrolift.com

| REV. | ECO# | DATE | BY: |
|------|------|------|-----|
| | | | |

HOIST TYPE: "D" TWIN HOOK

CONFIGURATION: FLOOR MOUNTED

| DATE: | SCALE: | DWG SIZE: | DRAWN BY: |
|----------|--------|-----------|-----------|
| 12/21/21 | 1:20 | B | AR |

| CATALOG NO.: | DRAWING NO.: |
|--------------|--------------|
| 999-FL | D-178 |